

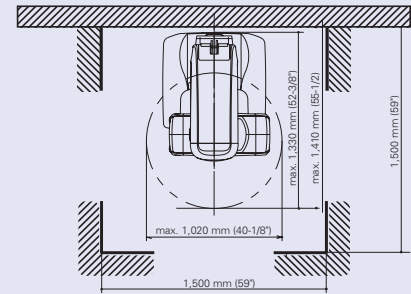


## Technical Specification Verviewepocs 3De

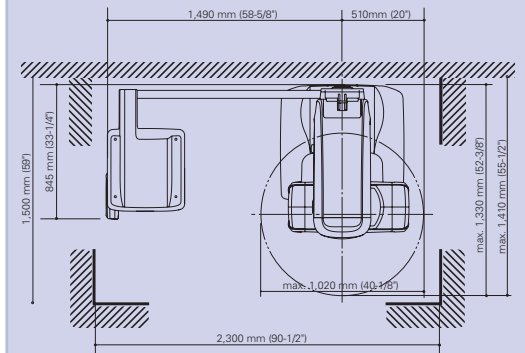
	Panoramic/3D Image	Panoramic/Cephalometric/3D Image
		
<b>Trade name</b>	Verviewepocs 3De	
<b>Model</b>	X550	
<b>Input voltage</b>	EX-1: AC 120V 60 Hz, EX-2: 220/230/240 V 50/60 Hz	
<b>Power consumption</b>	2.0 kVA	
<b>X-ray generator</b>		
Tube voltage	60 – 80 kV	
Tube current	1 – 10 mA	
Effective focal spot	0.5 mm	
<b>Panoramic image</b>		
Exposure time	Fine high-speed mode approx. 7.4 seconds	
Mag. ratio	1.3, 1.5, 1.6	
Positioning	Electric motor and auto focusing optical distance sensor	
<b>Cephalometric image</b>		
Imaging area	—	LA 225 × 254 mm PA 225 × 203 mm
Magnification ratio	—	1.1
<b>3D image</b>		
Exposure time	Approx. 9.4 seconds	
Size of imaging area	Diameter: 40 × Height 40 mm; Diameter: 40 × Height 80 mm	
<b>Emission switch</b>	Deadman type	
<b>Dimensions</b>		
Main unit	W 1,020 × D 1,330 × H 2,355 mm (W 40-1/8" × D 52-3/8" × H 92-3/4")	W 2,000 × D 1,330 × H 2,355 mm (W 78-3/4" × D 52-3/8" × H 92-3/4")
Control box	EX-1: W 96 × D 40 × H 115 mm — (W 3-3/4" × D 1-1/2" × H 4-1/2"), EX-2: W 70 × D 40 × H 115 mm — (W 2-3/4" × D 1-1/2" × H 4-1/2"),	
<b>Installation area</b>	1.35 m <sup>2</sup>	2.60 m <sup>2</sup>
<b>Weight</b>	Approx. 190 kg (418 lb.)	Approx. 258 kg (568 lb.)

## Suggested Operating Space Requirements

Verviewepocs 3De Panoramic



Verviewepocs 3De Panoramic/Cephalometric



\* The Verviewepocs should be anchored to a concrete wall and floor.

## Imaging Program

Panoramic		Magnification ratio	
Standard Panoramic	Standard, orthoradial, and shadow reduction	1.3 constant	1.6 constant
Pedodontic Panoramic	Standard, orthoradial, and shadow reduction	1.3 constant	1.6 constant
Maxillary Sinus Panoramic	posterior		1.5 constant
TMJ 4 views		1.3 constant	

\* Refer to the Verviewepocs 2D brochure for more details on panoramic/cephalometric images.

\* Clinical images are provided by Kitasenju Radist Dental Clinic, i-View Imaging Center, Japan, and the Department of Dentomaxillofacial Radiology at University of Leipzig, Germany.

\* X-ray protection should be provided for the patient when X-rays are emitted.

\* X-ray cassettes should be treated very carefully.

\* Design and specifications are subject to change without notification.

JMMC PUB.2008.08\*5,300

Developed and Manufactured by

**J. MORITA Mfg. Corp.**

680 Higashihama Minami-cho, Fushimi-ku, Kyoto,

612-8533 Japan

Tel: +81-75-611-2141, Fax: +81-75-622-4595

<http://www.jmorita-mfg.com>

Distributed by

**J. MORITA CORPORATION**

33-18, 3-Chome, Tarumi-cho Suita City, Osaka, 564-8650 Japan

Tel: +81-6-6380-2525, Fax: +81-6-6380-0585

<http://www.asia.morita.com> <http://www.oceania.morita.com>

**J. MORITA USA, Inc.**

9 Mason Irvine, CA 92618 U.S.A.

Tel: +1-949-581-9600, Fax: +1-949-465-1095, <http://www.jmoritausa.com>

**J. MORITA EUROPE GMBH**

Justus-von-Liebig-Strasse 27A, D-63128 Dietzenbach, Germany

Tel: +49-6074-836-0, Fax: +49-6074-836-299, <http://www.jmorita-europe.com>

**Siamdent Co., Ltd.**

71/10 Bangpakong Industrial Park 1, Bangna-Trad KM. 52,

Bangpakong, Chachuengsao, 24130, Thailand

Tel: +66-3857-3042, Fax: +66-3857-3043, <http://www.siamdent.com>